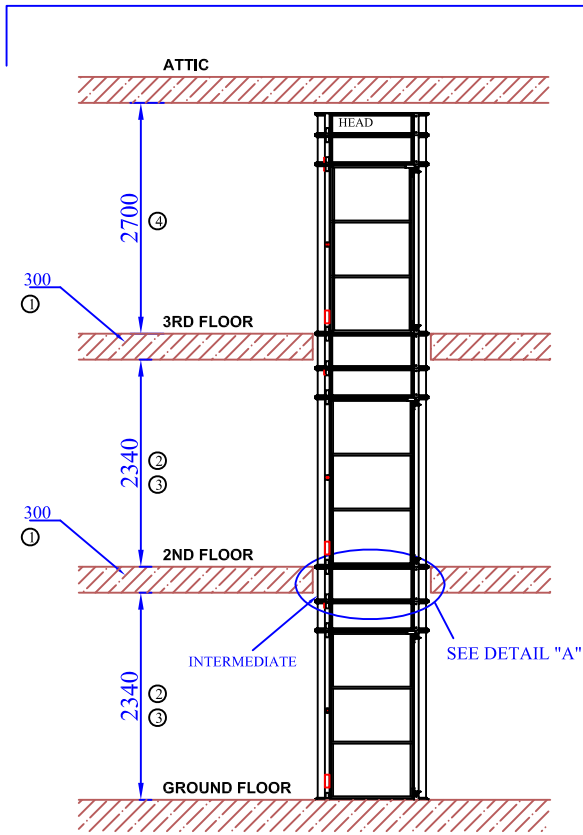
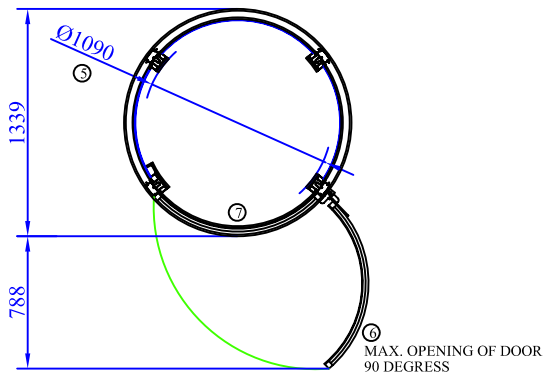


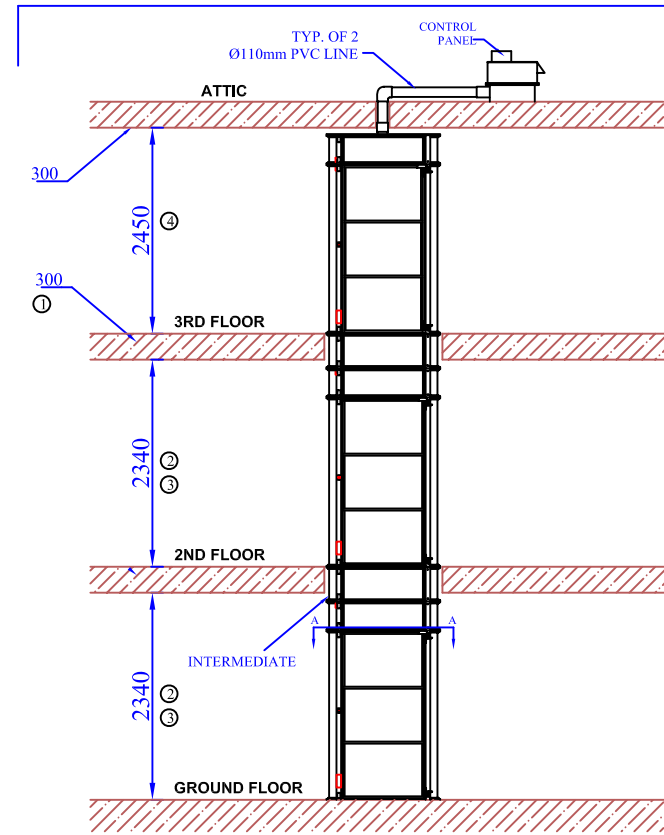
TYPICAL SETUP



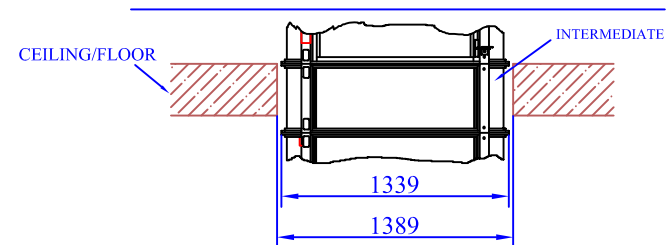
VIEW "A-A"
SCALE 2:1



OPTION: REMOTE LOCATION OF HEAD UNIT



DETAIL "A"
SCALE 2:1
(TYPICAL OF FLOOR PENETRATION)



NOTE:

- ① INTERMEDIATE CYLINDER IS CUSTOM MADE AS FLOOR THICKNESS MAY VARY FROM HOME TO HOME.
- ② INTERMEDIATE CYLINDER IS CUSTOM MADE AS ROOM HEIGHT MAY VARY FROM HOME TO HOME.
- ③ MINIMUM ALLOWABLE HEIGHT IS 2340mm
- ④ MINIMUM ALLOWABLE HEIGHT AS SHOWN FOR THIS TYPE OF INSTALLATION
- ⑤ INTERNAL DIAMETER OF CABIN WITHOUT THE COLUMNS IS 1210mm AND THE INTERNAL CABIN HEIGHT IS 2007mm
- ⑥ DOOR WIDTH IS 954mm
- ⑦ ENTRANCE WAY WIDTH OPENING IS 813mm
- ⑧ MAX. ELEVATOR HEIGHT IS 10m

Information contain herein is the property of Pneumatic Vacuum Elevators LLC. No reproduction or disclosure of this information may be made by the recipient to any person or organization without the written consent of Pneumatic Vacuum Elevators LLC.

Itemref.	Quantity	Material	Dimensions		Article No./ Reference		
	PNEUMATIC VACUUM ELEVATORS LLC		TYPICAL HOME INSTALLATION FOR A 3STOP ELEVATOR - MODEL PVE52				
			Designed by	Scale	Drawing No.	Rev	Date
			HS	1:1	D-T52-H-02	0	11/15/10